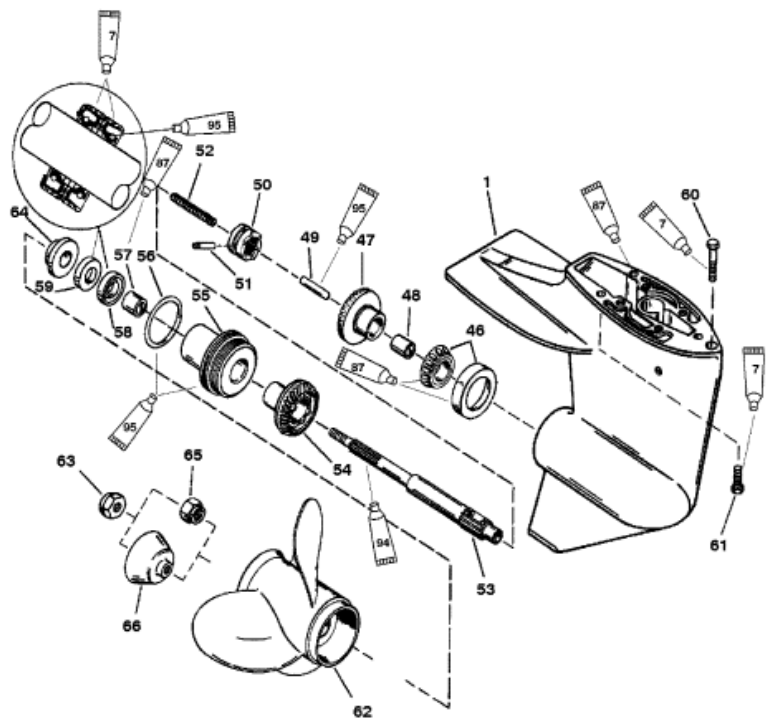






2.60 IN./102MM
 TORPEDO DIA.



-  Loctite 271 (92-809820)
-  Super Duty Gear Lubricant (92-13783A24)
-  Anti-Corrosion Grease (92-78376A6)
-  2-4-C With Teflon (92-825407A12)

Parts List

Ref	Class	Part	Description	Qty	Comment	Footnote
-	1666	8833A25	GEAR HOUSING-COMLETE	1	(SHORT) BLACK GRAY	
-	1666	8833A27	GEAR HOUSING-COMLETE	1	(LONG) BLACK GRAY	
-	1666	8833A26	GEAR HOUSING-COMLETE	1	(SHORT) BLACK GRAY	
-	1666	8833A28	GEAR HOUSING-COMLETE	1	(LONG) BLACK GRAY	
1	1666	8833A17	GEAR HOUSING	1	(BLACK)	
1	1666	8833A18	GEAR HOUSING	1	(GRAY)	
46	31	821321A	1	ROLLER BEARING		
47	43	821924A	1	FORWARD GEAR (26 TEETH)		
48	23	41367	1	BUSHING		
49		813139	1	CAM FOLLOWER		
50	52	821930A	1	CLUTCH ASSEMBLY		
51	17	823951	1	CROSS PIN		
52	24	42204	1	SPRING		
53	44	821929	1	PROPELLER SHAFT		
54	43	821926	1	REVERSE GEAR (26 TEETH)		
55		42144A	3	BEARING CARRIER		
56	25	33145	1	O-RING		3.6
57	23	821927	1	BUSHING		
58	26	99325	1	OIL SEAL		
59	26	821928	1	OIL SEAL		
60	10	824071	10	SCREW		
61	10	824071	7	SCREW		
62	48	828156A	12	PROPELLER	(MANUAL - 9 X 9)	
62	48	828154A	12	PROPELLER	(MANUAL - 9 X 8)	
62	48	828148A	12	PROPELLER	(ELECTRIC - 9-3/4 X 5-1/2)	
62	48	828152A	12	PROPELLER	(8 BODENSEE)	
63	11	13914	1	PROPELLER NUT		
64		821932	1	THRUST HUB		
65	23	42091	1	SPACER		
66		822559A	1	REVERSE THRUST CUP		
-	26	41365A	3	SEAL KIT		
-	27	825847A	95	ENGINE GASKET SET		